

Technical sheet

DiginSYS[®]
Demestres[®]



Product

- Moving coil panel

Model

- 620

Movement

- DC moving coil with ruby bearings
- Class 2.0
- Range 100 μ A, 200 μ A, 500 μ A and 1mA
- A DC calibration possibility up to 50A with internal shunt and from 30mV DC with resistance multiplier
- V AC calibration by internal bridge rectifier
- A AC by internal current transformer

Construction

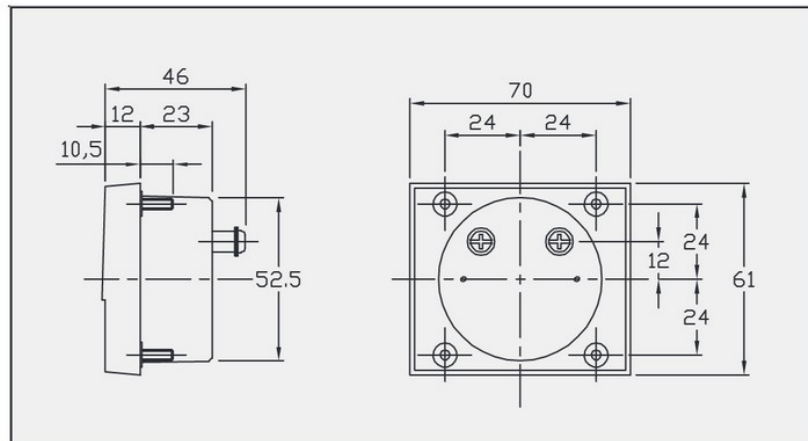
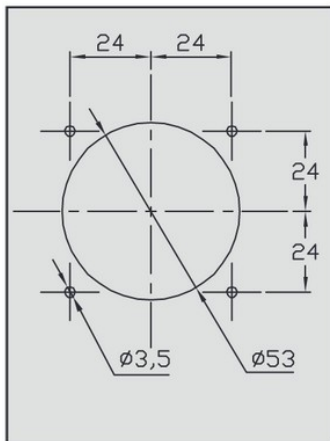
- Front of acrylic resin and Bakelite box
- Fixing with four threaded studs
- Case in black and scale in white
- Red tube pointer (37 mm)

Standard scales

- V DC 5, 10, 15, 20, 30 and 50V
- A DC 1, 2, 3, 5, 10, 15, 20, 25 and 30A
- V AC 250 and 400 V
- A AC 1, 2, 3, 5, 10, 15, 20, 25, and 30A

Check for other scales, ranges and finishes

Mechanical dimensions (all in mm)



The data in this document are generic only and may be modified according to specific versions.